

USER MANUAL



CONTENTS

1. SAFETY INFORMATION.....	3
2. SAFETY INSTRUCTIONS.....	4
3. INSTALLATION.....	5
4. PRODUCT DESCRIPTION.....	10
5. CONTROL PANEL.....	11
6. KNOB AND BUTTONS.....	12
7. PROGRAMMES	14
8. SETTINGS.....	17
9. BEFORE FIRST USE.....	17
10. DAILY USE.....	18
11. HINTS AND TIPS.....	22
12. CARE AND CLEANING.....	23
13. TROUBLESHOOTING.....	27
14. CONSUMPTION VALUES.....	30
15. TECHNICAL DATA.....	31
16. ACCESSORIES.....	32
17. GUARANTEE	32

FOR PERFECT RESULTS

Thank you for choosing this AEG product. We have created it to give you impeccable performance for many years, with innovative technologies that help make life simpler features you might not find on ordinary appliances. Please spend a few minutes reading to get the very best from it.

Visit our website for:



Get usage advice, brochures, trouble shooter, service information:
www.aeg.com/webselfservice



Register your product for better service:
www.registeraeg.com



Buy Accessories, Consumables and Original spare parts for your appliance:
www.aeg.com/shop

CUSTOMER CARE AND SERVICE

Always use original spare parts.

When contacting our Authorised Service Centre, ensure that you have the following data available: Model, PNC, Serial Number.

The information can be found on the rating plate.

Warning / Caution-Safety information

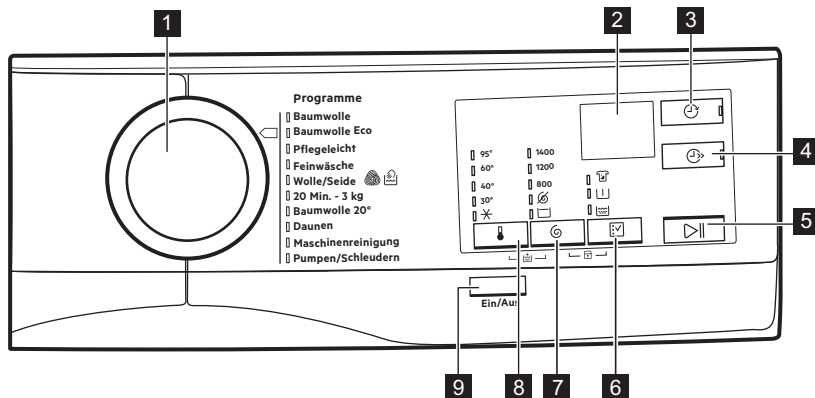
General information and tips

Environmental information

Subject to change without notice.

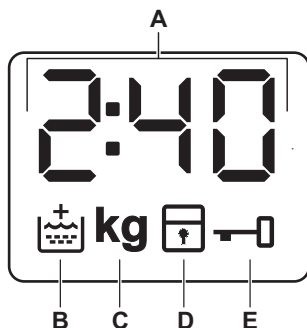
5. CONTROL PANEL




5.1 Control panel description



- 1** Programme dial
- 2** Display
- 3** Delay Start touch button
- 4** Time Save touch button
- 5** Start/Pause touch button
- 6** Option touch button
 - Stain option
 - Prewash option
- 7** Spin reduction touch button
 - Only rinse option
 - No Spin option
 - Rinse Hold option
- 8** Temperature touch button
- 9** On/Off push button

5.2 Display

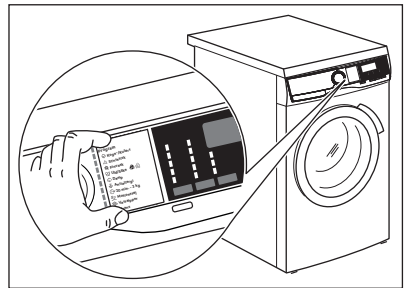


A	000	The digital indicator can show: <ul style="list-style-type: none"> • Programme duration (e. g. 2:40). • Delay time (e. g. 30' or 2h). • Cycle end (0). • Warning code (E20).
B		Extra rinse indicator. It lights on when this option is selected .
C	kg	The kg indicator blink during the laundry load detections.
D		Child safety lock indicator.
E		Door locked indicator.

5.3 Multilingual badges

Adhesive badges in different languages are supplied with the appliance.

The desired badge can be glued next to the programme dial.



6. KNOB AND BUTTONS

6.1 Ein /Aus

Pressing this button for a few seconds allows to activate or deactivate the appliance. Two different tunes sound while switching the appliance on or off.

As the Stand-by function automatically deactivates the appliance to decrease the energy consumption in a few cases, you may need to activate the appliance again.

For more details, refer to Stand-by paragraph in Daily Use chapter.

6.2 Introduction




The options/functions are not selectable with all washing programmes. Check the compatibility between options/functions and washing programmes in the "Programme Chart". An option/function can exclude another one, in this case the appliance doesn't allow you to set the incompatible options/functions together.

6.3 Temp.

When you select a washing programme, the appliance automatically proposes a default temperature.

Set this option to change the default temperature.

The indicator  = cold water of the set temperature comes on (the appliance does not heat the water).


6.4 U./Min.

When you set a programme, the appliance automatically sets the maximum spin speed allowed.

Touch repeatedly this button to:


Activate the  option

- Set this option to prevent the laundry creases.
- The related indicator comes on.
- There is a water in the drum when the programme is completed.
- The door stays locked and the drum turns regularly to reduce creasing.
- You must drain the water to unlock the door.
- If you touch the Start/Pause button, the appliance performs the spinning phase and drains the water.

 The appliance empties the water out automatically after 18 hours approximately.


Activate the  option


- Set this option to deactivate all spin phases. Only the drain phase is available.
- The related indicator comes on.
- Set this option for very delicate fabrics.
- The rinses phase uses more water for some washing programmes.


 The spin speed can be reduce.


6.5 Option

Press this button repeatedly to activate one of the available options.

- **Flecken **
Select this option to add an anti-stain phase to a programme in order to treat heavily soiled or stained laundry with stain remover.

Pour the stain remover into  compartment. The stain remover will be added in the appropriate phase of the washing programme.


 This option can increase the programme duration.

 This option is not available with a temperature lower than 40 °C.

• Vorwäsche

Use this option to add a prewash phase at 30 °C before the washing phase.

This option is recommended for heavily soiled laundry, especially if containing sand, dust, mud and other solid particles.

 This option can increase the programme duration.

• Nur Spülen

The appliance performs only the rinsing phase, the spinning and the draining phases of the selected programme.

The relevant indicator comes on.

6.6 Zeitvorwahl

With this option you can delay the start of a programme in a more convenient time.

Touch repeatedly the button to set the required delay. The time increases by steps of 30 minutes up to 90' and from 2 hours up to 20 h.

The indicator of the option and the indicator of the set value are on. After touching the Start/Pause button the appliance begins the countdown.

6.7 Zeit Sparen

This option may be advisable to shorten the washing programme.

Use this option for items with normal or light soil or items to refresh.

Touch this button **once** to decrease the duration.

In case of smaller load, touch this button **twice** to set an extra quick programme.

The indicator of the option and the indicator of the set value are on.





6.8 Start/Pause


Touch the Start/Pause button to start, pause the appliance or interrupt a running programme.

7. PROGRAMMES

7.1 Programme Chart

Washing programmes

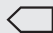

Programme	Programme description
Washing programmes	
Baumwolle	White cotton and coloured cotton. Normal soil and light soil. White and coloured cotton
 Baumwolle Eco	White cotton and coloured cotton. Normal soil and light soil. Standard programmes for the Energy Label consumption values. According to regulation 1061/2010, the programme Baumwolle at 60 °C and the programme Baumwolle at 40 °C with the  option are respectively the «Standard 60°C cotton programme» and the «Standard 40°C cotton programme». They are the most efficient programmes in terms of combined energy and water consumption for washing normally soiled cotton laundry.  The water temperature of the washing phase may differ from the temperature declared for the selected programme.
Pflegeleicht	Synthetic items or mixed fabric items. Normal soil.
Feinwäsche	Delicate fabrics such as acrylics, viscose, polyester items. Normal soil.
 Wolle/Seide	Machine washable wool, hand washable wool and delicate fabrics with «hand washing» care symbol. ¹⁾
20 Min. - 3 kg	Cotton and synthetic items lightly soiled or once worn.
Baumwolle 20°	Mixed fabric (cotton and synthetic items) ²⁾ .
Daunen	Single synthetic blanket, padded clothes, duvets, down jackets and similar items.

Programme	Programme description
Maschinenreinigung	<p>Maintenance cycle with hot water to clean and freshen the drum and to remove residue that may cause odour. For the best result use this cycle once a month. Before run this cycle, remove all items from the drum. In the washing phase compartment of the detergent dispenser, put the flap of the compartment in upward position. Pour a cup of chlorine bleach or a washing machine cleaner in the washing phase compartment. DO NOT use both together.</p> <p> After the drum cleaning, run a further rinse cycle with empty drum and no detergent to remove any residue of bleach.</p>
Pumpen/Schleudern	To spin the laundry and to drain the water in the drum. All fabrics, except woollens and delicate fabrics.

1) During this cycle the drum rotates slowly to ensure a gentle wash. It can seem that the drum doesn't rotate or doesn't rotate properly, but this is normal for this programme.

2) This programme is for daily use and has the lowest energy and water consumption whilst maintaining a good washing performance.

Programme temperature, maximum spin speed and maximum load

Programme	Default temperature Temperature range	Maximum spin speed Spin speed range	Maximum load
Washing programmes			
Baumwolle	40 °C 95 °C - Cold	1400 rpm 1400 rpm - 800 rpm	8 kg
 Baumwolle Eco	60 °C 60 °C - 40 °C	1400 rpm 1400 rpm - 800 rpm	8 kg
Pflegeleicht	40 °C 60 °C - Cold	1200 rpm 1200 rpm - 800 rpm	3 kg
Feinwäsche	40 °C 40 °C - Cold	1200 rpm 1200 rpm - 800 rpm	3 kg
 Wolle/Seide	40 °C 40 °C - Cold	1200 rpm 1200 rpm - 800 rpm	1,5 kg
20 Min. - 3 kg	30 °C 40 °C - 30 °C	1200 rpm 1200 rpm - 800 rpm	3 kg
Baumwolle 20°	Cold	1400 rpm 1400 rpm - 800 rpm	8 kg

7.2 Woolmark Apparel Care - Blue



The wool wash cycle of this machine has been approved by The Woolmark




Company for the washing of wool garments labelled as «hand wash» provided that the garments are washed according to the instructions issued by the manufacturer of this washing machine. Follow the garment care label for drying and other laundry instructions. M1511

In UK, Eire, Hong Kong and India the Woolmark symbol is a certification trademark.

8. SETTINGS

8.1 Child Lock

With this option you can prevent children from playing with the control panel.

- To **activate/deactivate** this option, touch the  and the  buttons simultaneously until the indicator  comes on/goes off on the display.



You can activate this option:

- After you touch the Start/Pause button: all the buttons and the programme dial are deactivated (except Ein /Aus button).
- Before you touch the Start/Pause button: the appliance cannot start.

The appliance keeps the selection of this option after you switch it off.

8.2 Acoustic signals

The acoustic signals operate when the programme is completed (sequence of sounds for about 2 minutes).




To **deactivate/activate** the acoustic signals, touch the  and the  buttons simultaneously for about 6 seconds.



If you deactivate the acoustic signals, they continue operate when the appliance has a malfunction.


8.3 Permanent Extra Rinse

With this option you can permanently have an extra rinse when you set a new programme.

- To **activate/deactivate** this option touch the  button and the  button simultaneously until relevant indicator  comes on/goes off on display.

9. BEFORE FIRST USE

1. Make sure that all transit bolts have been removed from the appliance.
2. Make sure that the electrical power is available and the water tap is open.
3. Pour a small quantity of detergent

into the compartment marked .

4. Set and start a programme for cotton at the highest temperature without any laundry in the drum.

This removes all possible dirt from the drum and the tub.

10. DAILY USE



WARNING!
Refer to Safety chapters.

10.1 Activating the appliance

1. Connect the mains plug to the mains socket.
2. Open the water tap.
3. Press the Ein /Aus button for a few seconds to activate the appliance.

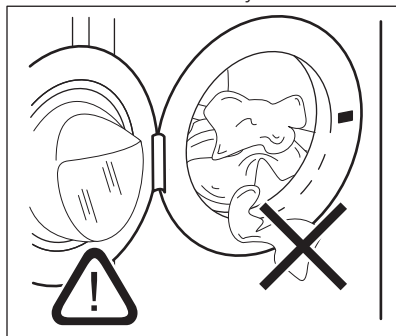
A short tune sounds (if activated). The programme dial is automatically set on Cotton programme .

10.2 Loading the laundry

1. Open the appliance door.
2. Put the laundry in the drum, one item at a time.
3. Shake the items before you put them in the appliance.

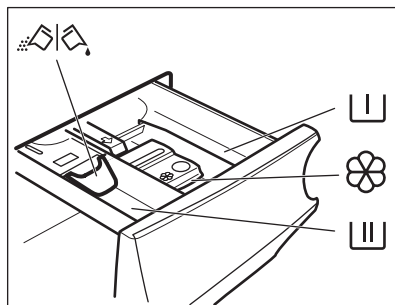
Make sure not to put too much laundry in the drum.

4. Close the door firmly.



CAUTION!
Make sure that no laundry stays between the seal and the door. There is a risk of water leakage or damage to the laundry.

10.3 Filling the detergent and additives



Compartment for prewash phase, soak programme or stain remover.



Compartment for washing phase.



Compartment for liquid additives (fabric conditioner, starch).

MAX

Maximum level for quantity of liquid additives.



Flap for powder or liquid detergent.



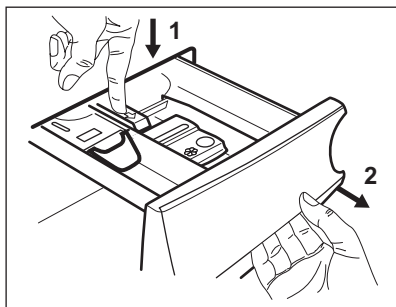
Always follow the instructions that you find on the packaging of the detergent products, but we recommend that you do not exceed the maximum indicated level (**MAX**). This quantity will however guarantee the best washing results.



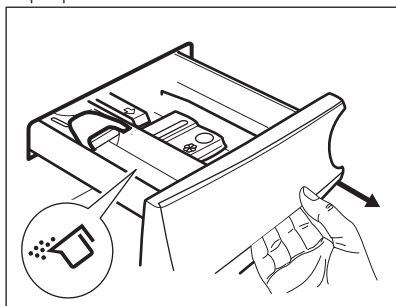
After a washing cycle, if necessary, remove any detergent residue from the detergent dispenser.

10.4 Check the position of the flap

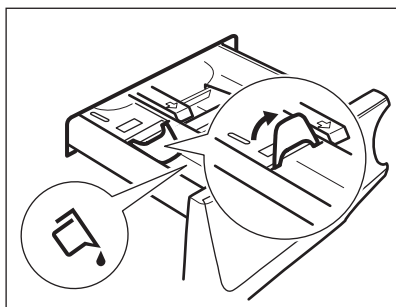
1. Pull out the detergent dispenser until it stops.
2. Press the lever down to remove the dispenser.



3. To use powder detergent, turn the flap up.



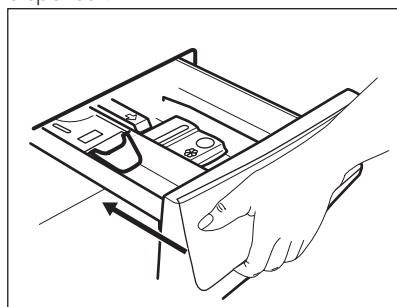
4. To use liquid detergent, turn the flap down.



With the flap in the position DOWN:

- Do not use gelatinous or thick liquid detergents.
- Do not put more than the limit shown on the flap.
- Do not set the prewash phase.
- Do not set the delay start function.

5. Measure out the detergent and the fabric conditioner.
6. Carefully close the detergent dispenser.



Make sure that the flap does not cause a blockage when you close the drawer.

10.5 Setting a programme

1. Turn the programme dial to select the desired washing programme. The related programme indicator comes on.

The indicator of the Start/Pause button flashes.

The display shows an indicative programme duration.

2. To change the temperature and/or the spin speed, touch the related buttons.
3. If desired, set one or more options by touching the related buttons. The related indicators come on in the display and the given information changes accordingly.




In case a selection is **not possible**, no indicator comes on and an acoustic signal sounds.

10.6 Starting a programme with the delay start

Touch the Start/Pause button.


The appliance starts the countdown of the delay start.

When the countdown is completed, the programme starts.

-  The PROSENSE adapts starts at the end of the countdown.

cancelling the delay start after the countdown has started

To cancel the delay start:

1. Touch the Start/Pause button to pause the appliance. The related indicator flashes.
2. Touch the Zeitvorwahl button repeatedly until the display shows .
3. Touch the Start/Pause button again to start the programme immediately.

Changing the delay start after the countdown has started

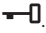
To change the delay start:


1. Touch the Start/Pause button to pause the appliance. The related indicator flashes.
2. Touch the Zeitvorwahl button repeatedly until the display shows the desired delay time.
3. Touch the Start/Pause button again to start the new countdown.

10.7 Starting a programme

Touch the Start/Pause button to start the programme.

The related indicator stops flashing and stays on.


The programme starts, the door is locked. The display shows the indicator .


-  The drain pump can operate shortly before the appliance fills water.

10.8 The ProSense load detection

After touching the Start/Pause button the ProSense technology starts the laundry load detection:

1. The appliance detects the load within a few minutes, the indicator **kg** blink, the drum rotates shortly.
2. At the end of the load detection, the indicator **kg** goes off .

-  About 20 minutes after the programme start, the programme duration could be adjusted depending on the capacity of water absorption of the fabrics.

-  The ProSense detection is carried out with complete washing programmes only (no skipping phase selected).

10.9 Interrupting a programme and changing the options

When the programme is running, you can change only some options:

1. Touch the button Start/Pause. The related indicator flashes.
2. Change the options. The given information in the display changes accordingly.
3. Touch the button Start/Pause again. The washing programme continues.

10.10 Cancelling a running programme

1. Press the button Ein /Aus to cancel the programme and to deactivate the appliance.
 2. Press the button Ein /Aus again to activate the appliance.
- Now, you can set a new washing programme.

- i** If the ProSense phase is already carried out and the water filling is already started, the new programme starts **without repeating the ProSense phase**. The water and the detergent are not drained out in order to avoid waste.

10.11 Opening the door

- i** If the temperature and level of the water in the drum are too high and/or the drum still rotates you cannot open the door.


While a programme or the delay start operates, the appliance door is locked.

1. Touch the button Start/Pause. In the display the related door lock indicator goes off.
2. Open the appliance door. If necessary, add or remove the items.
3. Close the door and touch the button Start/Pause.


The programme or the delay start continues.

10.12 End of the programme

When the programme has finished, the appliance stops automatically. The acoustic signals operate (if they are active).

In the display all washing phase indicators become steady and the time area shows .

The indicator of the Start/Pause button goes off.

The door unlocks and the indicator  goes off.



1. Press the Ein /Aus button to deactivate the appliance. After five minutes from the end of the programme, the energy saving function automatically deactivates the appliance.

- i** When you activate the appliance again, the display show the end of the last selected programme. Turn the programme dial to set a new cycle.

2. Remove the laundry from the appliance.
3. Make sure that the drum is empty.
4. Keep the door and the detergent dispenser slightly ajar to prevent mildew and odours.
5. Close the water tap.

10.13 Draining water out after end of cycle

If you have chosen a programme or an option that does not empty out the water of the last rinse, the programme is completed, but:

- The display shows the door locked indicator 
 - The drum still turns at regular intervals to prevent the creases in the laundry.
 - The door stays locked.
 - You must drain the water to open the door:
1. If necessary, touch the U./Min. button to decrease the spin speed proposed by the appliance.
 2. Press Start/Pause to continue the cycle
 3. When the programme is completed and the door locked indicator  goes off, you can open the door.
 4. Press the Ein /Aus button a few seconds to deactivate the appliance.

- i** In any case, the appliance empties the water out automatically after approximately 18 hours.

10.14 Stand-by option

The Stand-by function automatically deactivates the appliance to decrease the energy consumption when:

- You do not use the appliance for 5 minutes before you touch the Start/Pause button. Press the button Ein /Aus to activate the appliance again.

- After 5 minutes from the end of the washing programme Press the Ein /Aus button to activate the appliance again. The display shows the end of the last set programme. Turn the programme dial to set a new cycle.



If you set a programme or an option that ends with water in the drum, the Stand-by function **doesn't deactivate** the appliance to remind you to drain the water.

11. HINTS AND TIPS



WARNING!

Refer to Safety chapters.

11.1 The laundry load

- Divide the laundry into: white, coloured, synthetics, delicates and wool.
- Follow the washing instructions on the laundry care labels.
- Do not wash white and coloured items together.
- Some coloured items can discolour with the first wash. We recommend that you wash them separately for the first couple of times.
- Button up pillowcases, close zippers, hooks and poppers. Tie up belts.
- Empty pockets and unfold.
- Turn multilayered fabrics, wool and items with printed illustrations inside out.
- Pre-treat tough stains.
- Wash heavy soil stains with a special detergent.
- Be careful with curtains. Remove the hooks and put the curtains in a washing bag or pillowcase.
- Do not wash laundry without hems or with cuts. Use a washing bag to wash small and/or delicate items (e.g. underwired bras, belts, tights, etc.).
- A very small load can cause balance problems with the spin phase leading to excessive vibration. If this occurs:
 - a. interrupt the programme and open the door (refer to "Opening the door when a programme or the delay start operates");
 - b. manually redistribute the load so that the items are spaced evenly around the tub;

- c. press the Start/Pause button. The spin phase continues.

11.2 Stubborn stains

For some stains, water and detergent is not sufficient.

We recommend that you pre-treat these stains before you put the items in the appliance.

Special stain removers are available. Use the special stain remover that is applicable to the type of stain and fabric.

11.3 Detergents and other treatments

- Only use detergents and other treatments specially made for washing machines:
 - powder detergents for all types of fabric,
 - powder detergents for delicate fabrics (40 °C max) and woollens,
 - liquid detergents, preferably for low temperature wash programmes (60 °C max) for all types of fabric, or special ones for woollens only.
- Do not mix different types of detergents.
- To help the environment, do not use more than the recommended quantity of detergent.
- Follow the instructions that you find on packaging of the detergents or other treatments without exceeding the indicated maximum level (**MAX**).
- Use the recommended detergents for the type and colour of the fabric, the programme temperature and the level of soil.

11.4 Ecological hints

- Set a programme without the prewash phase to wash laundry with normal soil.
- Always start a washing programme with the maximum load of laundry allowed.
- If you pre-treat the stains, you can use a stain remover when you set a programme with a low temperature.
- To use the correct quantity of detergent, check the water hardness of your domestic system. Refer to "Water hardness".

11.5 Water hardness

If the water hardness in your area is high or moderate, we recommend that you additive for water softening. In areas where the water hardness is soft it is not necessary to use him.

To find out the water hardness in your area, contact your local water authority.

Use the correct quantity of additive for water softening. Follow the instructions that you find on the packaging of the product.

12. CARE AND CLEANING



WARNING!
Refer to Safety chapters.

12.1 External cleaning

Clean the appliance with mild soap and warm water only. Fully dry all the surfaces.



CAUTION!
Do not use alcohol, solvents or chemical products.

12.2 Descaling



If the water hardness in your area is high or moderate, we recommend that you use a water descaling product for washing machines.

Regularly examine the drum to check any limescale.

The regular detergents already contain water softening agents, but we recommend to run a cycle with empty drum and a descaling product occasionally.



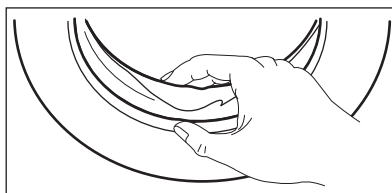
Always follow the instructions that you find on the packaging of the product.

12.3 Maintenance wash

With the low temperature programmes it is possible that some detergent stays in the drum. Perform a maintenance wash regularly. To do this:

- Remove all laundry from the drum.
- Select the cotton programme with the highest temperature or use if is available programme Maschinenreinigung. Add a small quantity of powder detergent into empty drum, in order to rinse out any left residues.

12.4 Door seal



Regularly examine the seal and remove all objects from the inner part.

12.5 Cleaning the drum

Regularly examine the drum to prevent rust particles.

For a complete cleaning:

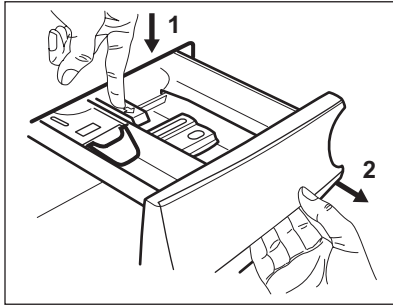
1. Clean the drum with special products for stainless steel.

- i** Always follow the instructions that you find on the packaging of the product.
2. Run a short cotton programme at high temperature or use if is available programme Maschinenreinigung. Add a small quantity of powder detergent into empty drum, in order to rinse out any left residues.

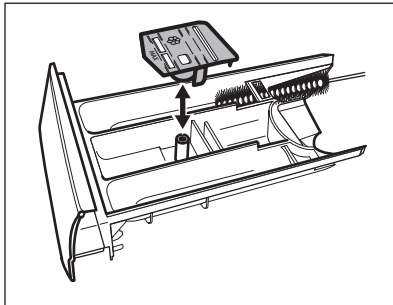
12.6 Cleaning the detergent dispenser

To prevent possible deposits of dried detergent or clotted fabric softener and/or formation of mould in the detergent dispenser drawer, once in a while carry out the following cleaning procedure:

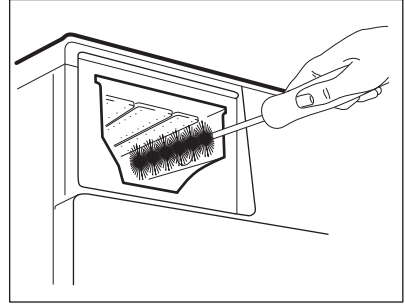
1. Open the drawer. Press the catch downwards as indicated in the picture and pull it out.



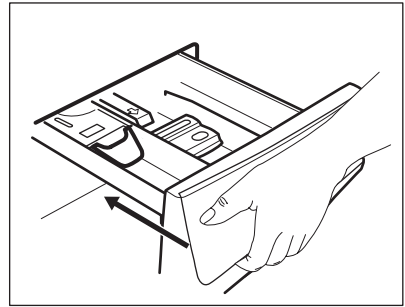
2. Remove the top part of the additive compartment to aid cleaning and flush it out under running warm water, to remove any traces of accumulated detergent. After cleaning, replace the top part in its position.



3. Make sure that all detergent residue is removed from the upper and lower part of the recess. Use a small brush to clean the recess.



4. Insert the detergent drawer into the guide rails and close it. Run the rinsing programme without any clothes in the drum.



12.7 Cleaning the drain pump



WARNING!

Disconnect the mains plug from the mains socket.



Regularly check the drain pump filter and make sure that it is clean.

Clean the drain pump if:

- The appliance does not drain the water.
- The drum does not turn.
- The appliance makes an unusual noise because of the blockage of the drain pump.
- The display shows the alarm code

E20.

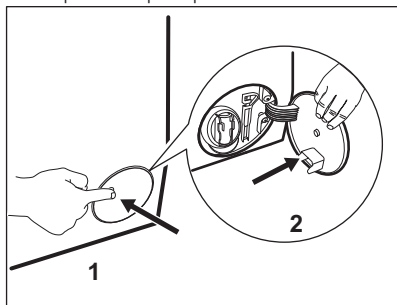


WARNING!

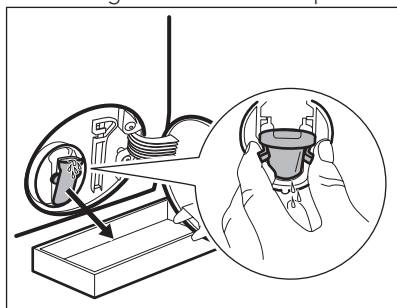
- Do not remove the filter while the appliance operates.
- Do not clean the pump if the water in the appliance is hot. Wait until the water cools down

Proceed as follows to clean the pump:

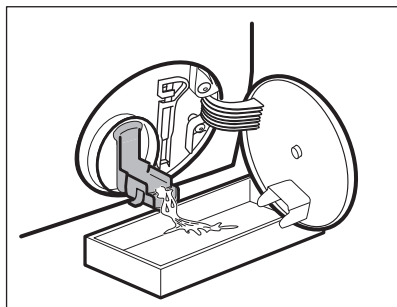
1. Open the pump cover.



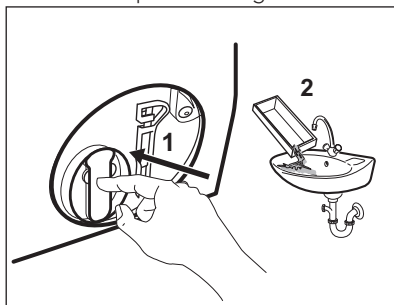
2. Place a suitable bowl below the drain pump access to collect the water that flows out.
3. Squeeze the two levers and pull the drainage duct forward to open it.



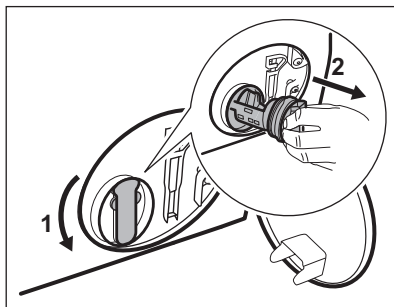
4. Let the water flow out.



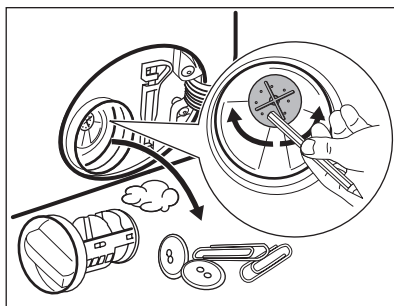
5. When the bowl is full of water, close the drainage duct back and empty the container.
6. Repeat the steps 4 and 5 until the water stops to flowing out.



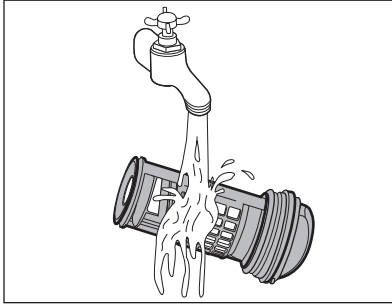
7. Close the drainage duct and turn the filter anti-clockwise to remove it.



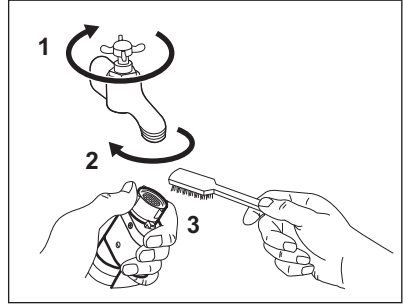
8. If it is necessary, remove fluff and objects from the filter recess.
9. Make sure that the impeller of the pump can rotate. If it does not rotate, contact the Authorised Service Centre.



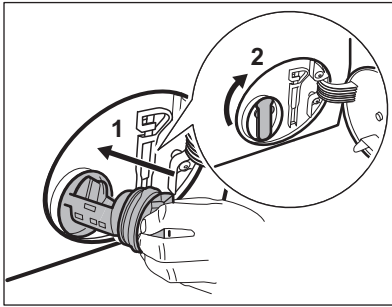
10. Clean the filter under the water tap.



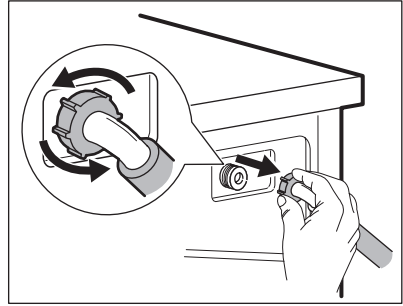
11. Put the filter back into the special guides by turning it clockwise. Make sure that you tighten the filter correctly to prevent leakages.



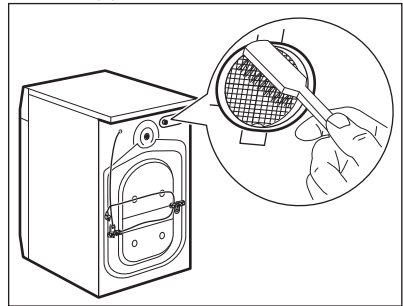
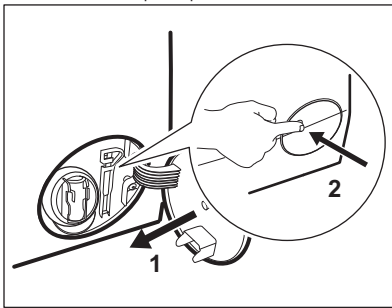
2. Remove the inlet hose from the appliance by loosening the ring nut.



12. Close the pump access.



3. Clean the valve filter on the back of the appliance with a toothbrush.

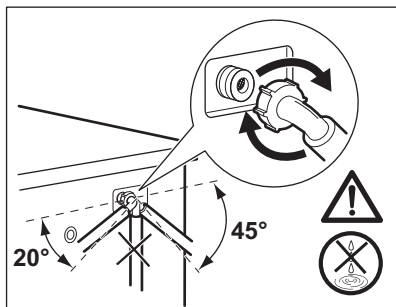


4. When you reconnect the hose to the back of the appliance, turn it left or right (not in vertical position) depending on the position of your water tap.

12.8 Cleaning the inlet hose and the valve filter

It is recommended to clean both the filters of the inlet hose and valve occasionally to remove any deposit, collected over the time:

1. Remove the inlet hose from the tap and clean the filter.



12.9 Emergency drain

If the appliance cannot drain the water, carry out the same procedure, described in 'Cleaning the drain filter' paragraph. If necessary, clean the pump.

12.10 Frost precautions

If the appliance is installed in an area where the temperature can reach the

values around 0° C or drop below, remove the remaining water from the inlet hose and the drain pump.

1. Disconnect the mains plug from the mains socket.
2. Close the water tap.
3. Put the two ends of the inlet hose in a container and let the water flow out of the hose.
4. Empty the drain pump. Refer to the emergency drain procedure.
5. When the drain pump is empty, install the inlet hose again.



WARNING!

Make sure that the temperature is higher than 0 °C before you use the appliance again. The manufacturer is not responsible for damages caused by low temperatures.

13. TROUBLESHOOTING



WARNING!

Refer to Safety chapters.

13.1 Introduction


The appliance does not start or it stops during operation.

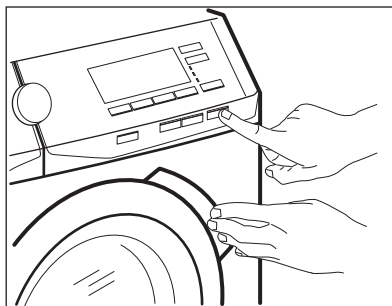
First try to find a solution to the problem (refer to the table). If the problem persists, contact the Authorised Service Centre.

In case of major problems, the acoustic signals operate, the display shows an alarm code and the Start/Pause button may flash continuously:

- **E10** - The appliance does not fill with water properly.
- **E20** - The appliance does not drain the water.
- **E40** - The appliance door is open or not closed correctly. Please check the door!



If the appliance is overloaded, remove some items from the drum and/or keep pressed the door while touching the Start/Pause button until the indicator  stops flashing (see the picture below).



- **E40** - The mains supply is unstable. Wait until the mains supply is stable.
- **E91** - No communication between electronic elements of the appliance. Switch it off and switch on again.

- **EFO** - The anti-flood device is on. Disconnect the appliance and close the water tap. Contact the Authorised Service Centre.



WARNING!
Deactivate the appliance before carrying out any check.

13.2 Possible failures

Problem	Possible solution
The programme does not start.	Make sure that the mains plug is connected to the mains socket.
	Make sure that the appliance door is closed.
	Make sure that there is not a damaged fuse in the fuse box.
	Make sure that the Start/Pause has been touched.
	If the delay start is set, cancel the setting or wait for the end of countdown.
The appliance does not fill with water properly.	Deactivate the Child Lock function, if it is on.
	Make sure that the water tap is open.
	Make sure that the pressure of the water supply is not too low. For this information, contact your local water authority.
	Make sure that the water tap is not clogged.
	Make sure that the filter of the inlet hose and the filter of the valve are not clogged. Refer to 'Care and cleaning'.
	Make sure that the water inlet hose has no kinks, damages or bends.
	Make sure that the connection of the water inlet hose is correct.
The appliance fills with water and drains immediately.	Make sure that the drain hose is in the correct position. The hose may be positioned too low (see 'Water drainage' paragraph).
The appliance does not drain the water.	Make sure that the sink spigot is not clogged.
	Make sure that the drain hose has no kinks or bends.
	Make sure that the drain filter is not clogged. Clean the filter, if necessary. Refer to 'Care and cleaning'.
	Make sure that the connection of the drain hose is correct.
	Set the drain programme if you set a programme without drain phase.

Problem	Possible solution
	Set the drain programme if you set an option which ends with water in the tub.
The spin phase does not operate or the washing cycle lasts longer than usual.	Set the spin programme.
	Make sure that the drain filter is not clogged. Clean the filter, if necessary. Refer to 'Care and cleaning'.
	Adjust manually the items in the tub and start the spin phase again. This problem may be caused by balance problems.
There is water on the floor.	Make sure that the couplings of the water hoses are tight and there is not water leakages.
	Make sure that the drain hose have no damages.
	Make sure you use the correct detergent and the correct quantity of it.
You cannot open the appliance door.	Make sure that a washing programme that ends with water in tub, has been selected.
	Make sure that the washing programme is finished.
	Set the drain or the spin programme if there is water in the drum.
	Make sure that the appliance receives electrical power.
	This problem may be caused by a failure of the appliance. Contact the Authorised Service Centre. If you need to open the door, please read carefully «Emergency door opening».
The appliance makes an unusual noise and vibrates.	Make sure the levelling of the appliance is correct. Refer to 'Installation'.
	Make sure that the packaging and/or the transit bolts are removed. Refer to 'Installation'.
	Add more laundry in the drum. The load may be too small.
The programme duration increases or decreases during programme execution.	The ProSense function is able to adjust the programme duration according to the type and the amount of the laundry. Refer to 'The ProSense load detection' in 'Daily Use' chapter.
The washing results are not satisfactory.	Increase the detergent quantity or use a different detergent.
	Use special products to remove the stubborn stains before you wash the laundry.

Problem	Possible solution
	Make sure that you set the correct temperature.
	Decrease the laundry load.
Too much foam in the drum during the washing cycle.	Reduce the quantity of detergent.
After the washing cycle, there are some detergent residues in the dispenser drawer.	Make sure that the flap is in the correct position (UP for powder detergent - DOWN for liquid detergent). Make sure you have used the detergent dispenser according to the indications given in this user manual.

After the check, activate the appliance. The programme continues from the point of interruption.

If the problem occurs again, contact the Authorised Service Centre.

If the display shows other alarm codes. Deactivate and activate the appliance. If the problem continues, contact the Authorised Service Centre.

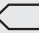

14. CONSUMPTION VALUES





The data in this table are approximate. Different variables can affect the data: the quantity and type of laundry, the water and ambient temperature.



During the washing programme, the Prosense technology can vary the wash duration and the consumption values. For more details see 'The Prosense load detection' paragraph in 'Daily Use' chapter.

Programmes	Load (kg)	Energy consumption (kWh)	Water consumption (litre)	Approximate programme duration (minutes)	Remaining moisture (%) ¹⁾
Baumwolle 60°C	8	1,40	70	210	52
Baumwolle 40°C	8	1,20	69	205	52
Pflegeleicht 40°C	3	0,60	56	140	35
Feinwäsche 40°C	3	0,55	59	95	35
Wolle/Seide 30°C	1,5	0,45	62	75	30
Standard cotton programmes 					
Standard 60°C cotton 	8	0,81	52	275	52

Programmes	Load (kg)	Energy consumption (kWh)	Water consumption (litre)	Approximate programme duration (minutes)	Remaining moisture (%) ¹⁾
Standard 60°C cotton 	4	0,57	40	228	52
Standard 40°C cotton 	4	0,51	40	226	52

¹⁾ At the end of spin phase.

Off Mode (W)	Left On Mode (W)
0.30	0.30

The information given in the chart above is compliant with the EU Commission regulation 1015/2010 implementing directive 2009/125/EC

15. TECHNICAL DATA

Dimension	Width/ Height/ Depth/ Total depth	600 mm/ 850 mm/ 571 mm/ 600 mm
Electrical connection	Voltage Overall power Fuse Frequency	230 V 2200 W 10 A 50 Hz
Level of protection against ingress of solid particles and moisture ensured by the protective cover, except where the low voltage equipment has no protection against moisture		IPX4
Water supply pressure	Minimum Maximum	0,5 bar (0,05 MPa) 8 bar (0,8 MPa)
Water supply ¹⁾		Cold water
Maximum Load	Cotton	8 kg
Energy Efficiency Class		A+++ -20%
Spin Speed	Maximum	1400 rpm

¹⁾ Connect the water inlet hose to a water tap with a 3/4" thread.